

Godswill

CE



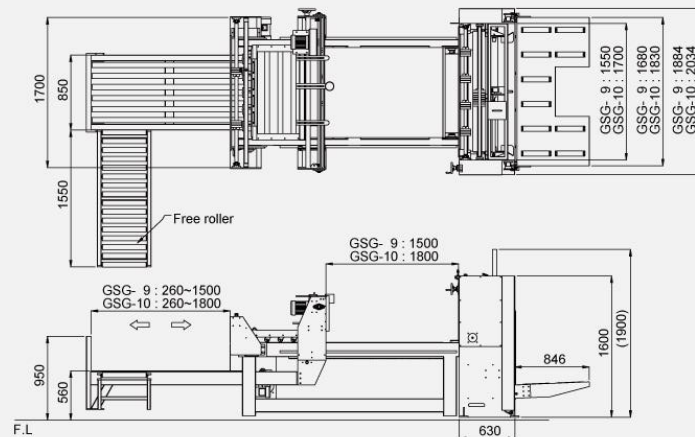
GSG-9/10

Best Choice for
Box-making Equipment
Semi-Auto Gluer

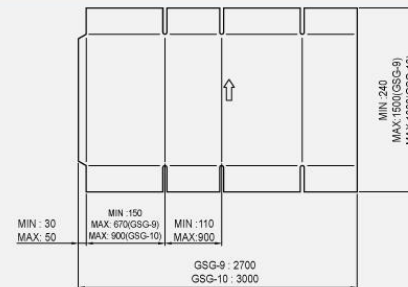


GODSWILL PAPER MACHINERY CO., LTD.

GSG-9/10 Layout 外型圖



Size of board 紙板尺寸



General Specifications 一般規範

機型	Type	GSG-9	GSG-10
送紙速度	Speed	40 m/min (max. 40 sheet/min)	
最大成品尺寸	Max. Sheet Size	1350W x 1500L mm	1500W x 1800L mm
最小成品尺寸	Min. Sheet Size	260W x 240L mm	
最大糊邊尺寸	Max. Glue Lap	50 mm	
最小糊邊尺寸	Min. Glue Lap	30 mm	
積紙高度	Stack Hight	850 mm	
總馬力	Total Power	4 HP	
使用黏膠	Adhesive	樹脂 RESIN	
機械總重	M/C Weight	2380Kgs	2550Kgs

*產品規格設計，本公司保有變更之權力，恕不另行通知
Specifications And Design May Be Change Without Prior Notice.

Godswill 冠裕機械股份有限公司
裕恒機械股份有限公司
GODSWILL PAPER MACHINERY CO., LTD.

台中市神岡區神州北路88號
No.88, Shenhjhou N. Rd., Shengang Dist.,
Taichung City 429, Taiwan (R.O.C.)
TEL: 886-4-2526-8912 FAX: 886-4-2527-8683
http://www.godswill.com.tw
e-mail:service@godswill.com.tw

圖樣號: 0642269-3075-2011-02



GSG-9/10

Semi-Auto Gluer 半自動糊盒機

GSG-9/10 Spurt glue type and digital control, fit all glue requiring from box-making product line.

GSG-9/10 最新噴糊式數值控制，上膠，符合製箱生產線上所有糊盒的需求。

SPECIAL FEATURES 特色

- Adjustable Gluing Head to fit multi-type boxes, simply set-up to save times and be effective while change order.
- Squaring jogger after gluing, that be sure to make out the correct boxes without distortion while fault scorer.
- Feed table auto-rises by sensor to keep stack of paperboard on operation line.
- Motorized adjustment of stop plate according to the boxes size on the squaring unit.
- As this machine is combined with the counter ejector that quantity of bundle can be pre-set, you operating efficiency is all the better.
- Adjust quantity of applying glue by pressure, and extend range of asking viscosity for glue.
- Easy change glue head, according width of flap to change 2 holes or 3 holes.
That can fit width between 30~50mm.

- 可調糊頭適用各式大小紙箱規格，並且操作簡便節省換單時間。
- 拍整式方形疊紙架，可避免壓線不良所產生箱體歪斜的現象，糊出方正的紙箱。
- 工作台自動上昇，使紙疊保持操作高度，方便送紙
- 整理擋板台可依紙箱規格電動調整。
- 本機配有計數分疊機，紙箱數量可設定調整，提高工作效率。
- 糊量大小可藉由空氣壓力隨需求調整，擴大適用膠水黏度範圍。
- 換裝簡易的糊頭，依紙箱插舌寬度可變換2孔或3孔的糊頭，適用插舌寬度30mm~50mm 的紙箱。

Spurt type valve ensure glue head no leaking trouble. Don't need to clean glue head and less maintenance.
噴射式膠閥不漏糊，糊頭免清洗保養。

Option
(選配)

Pressed Glue tub offers steady flow of glue, air-seal ensure that glue doesn't dry forever and less cleaning, that's able to save glue and labor.

氣密式壓力糊桶流量穩定，糊桶殘留膠不乾燥不需清洗，節省膠水及人工。

Option
(選配)



Length of applying glue set by digital and control by encoder. Easy adjust and prevent over lap at starting and ending. Flap can be glued on inside or outside of box by change feed direction.

數值設定上膠長度經由譯碼器控制，易於調整防止前後溢膠，同時插舌可選擇貼於內襯或外箱。

Option
(選配)



Simple and HMI operation panel is easy for operator leaning. Glue by digital control, key-in date directly by box size.

簡單的人機操作面板易於學習控制，上膠位置採用數值控制，依紙箱尺寸直接設定。



GSG-9/10